

LT-3040-5A CV Power Repeater



LED Power Repeater is suitable for all of our company's power-output style controllers' power expansion, it accepts PWM control, the control quantity of LED lights would be twice as much by adding one more power repeater, unlimited quantity of power repeater to be connected theoretically.

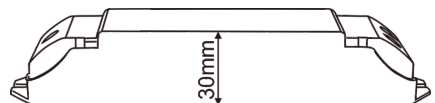
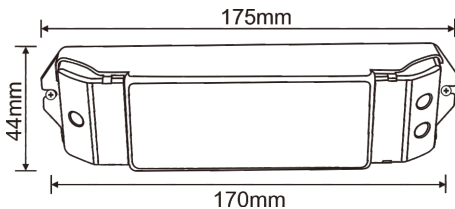
Signal input and output of LED power repeater have security protection function with photoelectricity isolation of 3KV.

1. Technical Specs

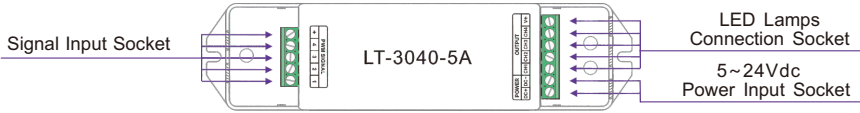
LT-3040-5A

- Input Signal: PWM
- Input Voltage: 5~24Vdc
- Max Current Load: 5A × 4CH Max 20A
- Max Power Load: 100W/240W/480W(5V/12V/24V)
- Working Temperature: -30°C ~55°C
- Dimensions: L175×W44×H30(mm)
- Package Size: L178×W48×H33(mm)
- Weight (G.W.): 145g

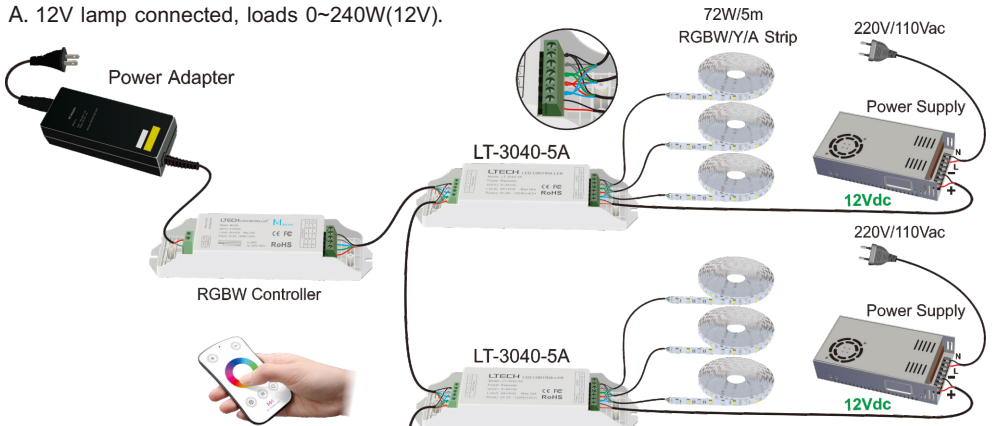
2. Product Size:



3. Wiring Diagram:



A. 12V lamp connected, loads 0~240W(12V).



B. 24V lamp connected, loads 0~480W(24V).

